

Article data sheet



Highlights

- Electrical height-adjustable column system
- Gyroscope anti-collision system
- VESA 200×200–800×600
- 5 years of warranty on entire solution
- TÜV certified
- Easy to assemble

MOTION EASY column system electrical height adjustable

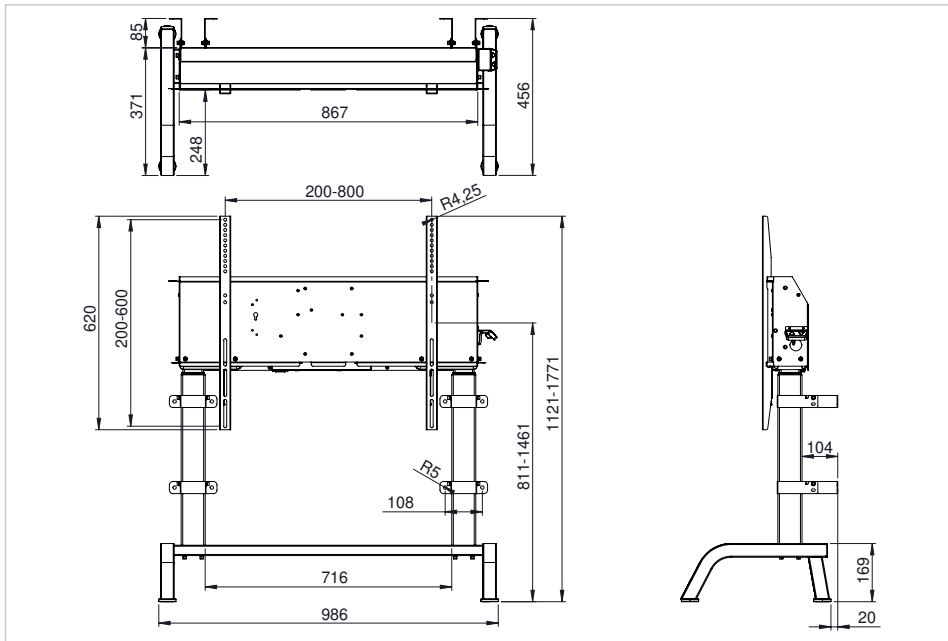
- Designed for use in combination with screens between 55-98"
- Built with high safety measurements in mind: Built-in anti-collision system offers protection for people and objects that might find themselves within the range of the moving screen
- Robust design owing to the wide stance of columns
- Ideal for use with side panels
- Optimal package design ensuring excellent protection of the product
- Delivered in one box – easy to set up assembly kit
- Also compatible with non-Legamaster screens

Art.No. **7-815211**

GTIN **8713797118576**



Article data sheet



Specifications

Height adjustable	Yes
Total height (min/max)	1121 / 1771 mm
Mounting interface	VESA 200×200–800×600
Power / Sleep / Standby	240 / - / 0.5 W
Package contents	Screw kit, Power cable, Power adapter cable, USB cable, Wired remote control, Wall mounting brackets, Mounting instruction
Height adjustable range	650 mm
Screen height min. (center vesa mount)	811 mm
Screen height max. (center vesa mount)	1461 mm
Maximum load height adjustable system	100.00 kg
Maximum screen weight	100.00 kg
Maximum screen size	98 "
Cable lock slot	No
Cable compartment	Yes
Anti-collision	Yes
Product warranty	5 years
Lifting speed	35 mm/s

Logistics

GTIN	8713797118576
Article number	7-815211
Customs tariff number	940310980000
Quantity	1 piece
Packing dimensions	635 x 194 x 1039 mm
Weight (gross/net)	35.70 kg / 33.10 kg

Article data sheet

Product overview

Article name	Article number	GTIN/EAN	Minimum order quantity
Legamaster MOTION EASY column system electrical height adjustable	7-815211	8713797118576	1